

FG2A007

FIAMM

FIAMM Sealed Power

FG series

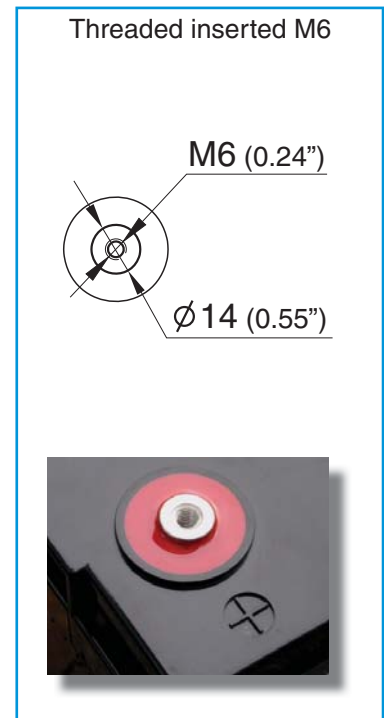
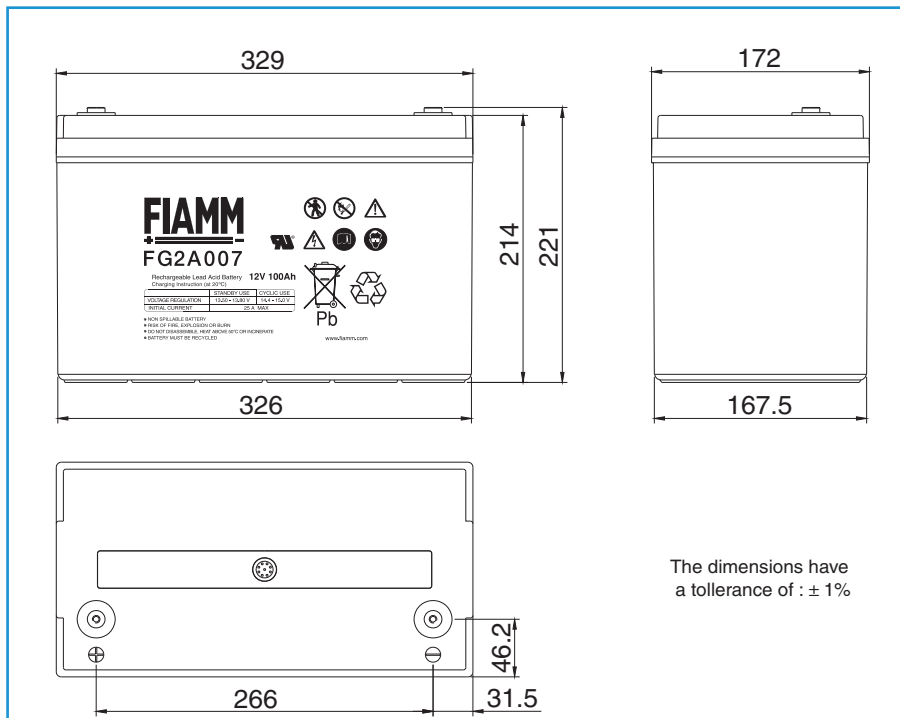
FG2A007 is a general purpose application battery. Within the FG range Fiamm offer 6V and 12V monoblocs at various amp hour capacities enable the right battery selection for each requirement. FIAMM Sealed Power is a Manufacturer of VRLA batteries; and is supported by a dedicated sales network with market knowledge and experience of small sealed lead acid battery applications.

**12 Volt
100 Ah**



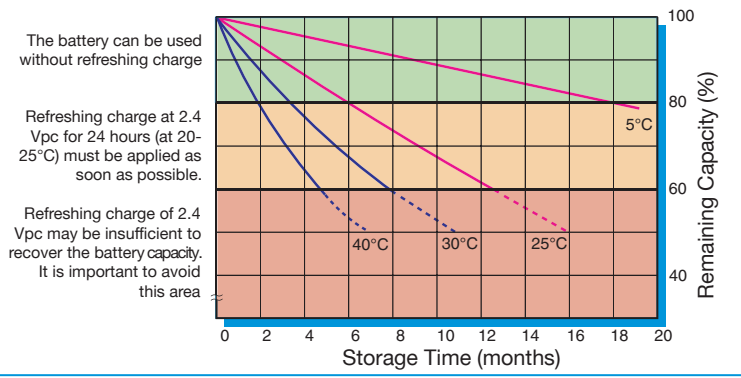
Features

Nominal Voltage	12 Volt
Nominal Capacity	100 Ah 20 hours rate to 1.75 Vpc at 25 °C
Float charging voltage	13.50 - 13.80 V/bloc at 25 °C
Boost charge voltage	14.40 - 15.00 V/bloc at 25 °C
Float voltage compensation	-18mV/°C
Maximum charging current	25 A
Case	ABS with HB flammability rate (according UL 94)
Internal resistance	3.6 mΩ in full charged condition
Weight	32.80 kg
Dimensions	L x W x H (TH): 329 x 172 x 214 (221)
Operative temperature range	-20 °C to 50 °C
Shelf life procedures	As batteries lose part of their capacity, during storage, due to self discharge. Fiamm Sealed Power recommends FG range of batteries can be stored for 6 months at an ambient temperature of 20 and 25 °C (see attached graph on reverse). Longer storage requires a recharge. This should be carried out in line with Fiamm Sealed Power recommended method; 2.4 V/cell for no longer than 24 hours at 20 °C

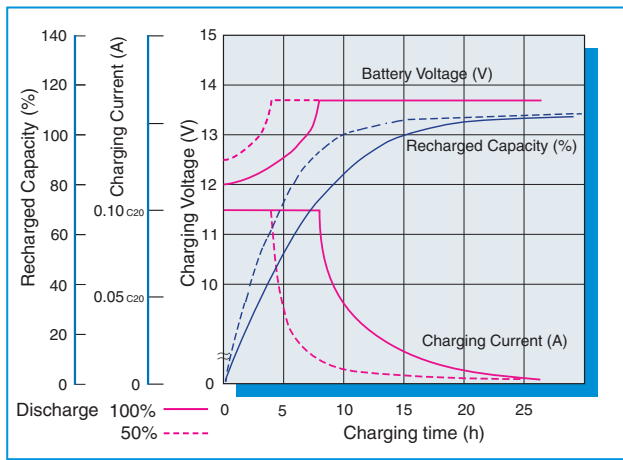




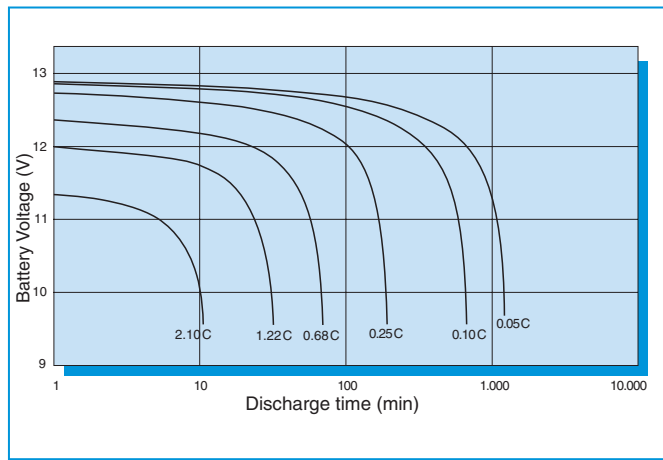
Capacity loss during storage at various temperatures



Battery Voltage and Charge Time for Standby Use (at 25°C)



Discharge curves at different current / final voltage (at 25°C)



Costant Current discharge table (Amperes)

end voltage	5 min	10 min	15 min	20 min	30 min	45 min	1 hour	2 hour	3 hour	5 hour	10 hour	20 hour
9,60 V	323	234	189	156	116	83,6	65,6	36,3	25,8	16,8	9,53	5,10
9,90 V	309	226	186	152	114	82,2	64,7	35,9	25,5	16,7	9,47	5,09
10,02 V	299	222	181	150	112	81,4	64,1	35,7	25,3	16,6	9,44	5,08
10,20 V	290	217	177	148	111	80,5	63,6	35,4	25,2	16,5	9,40	5,08
10,50 V	270	205	168	141	108	78,6	62,5	35,0	24,8	16,4	9,29	5,05
10,80 V	247	190	158	135	104	76,2	60,7	34,2	24,3	16,0	9,13	4,87

Costant Power discharge table (Watts per bloc)

end voltage	5 min	10 min	15 min	20 min	30 min	45 min	1 hour	2 hour	3 hour	5 hour	10 hour	20 hour
9,60 V	554	411	337	279	210	153	121	67,8	48,5	31,9	18,2	9,80
9,90 V	541	404	335	276	208	152	120	67,5	48,2	31,8	18,1	9,79
10,02 V	529	399	329	274	207	151	120	67,3	48,1	31,7	18,1	9,79
10,20 V	517	395	324	272	206	151	119	67,2	47,9	31,7	18,1	9,78
10,50 V	491	378	312	264	202	149	119	66,9	47,6	31,6	17,9	9,77
10,80 V	459	356	299	256	198	146	117	66,3	47,1	31,1	17,8	9,52